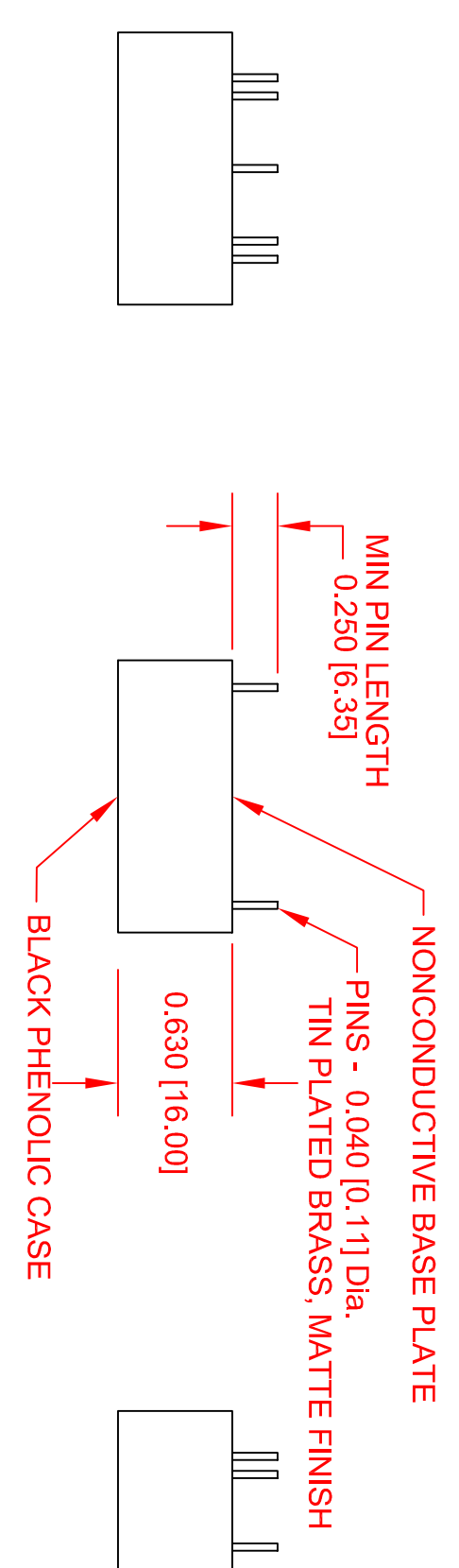
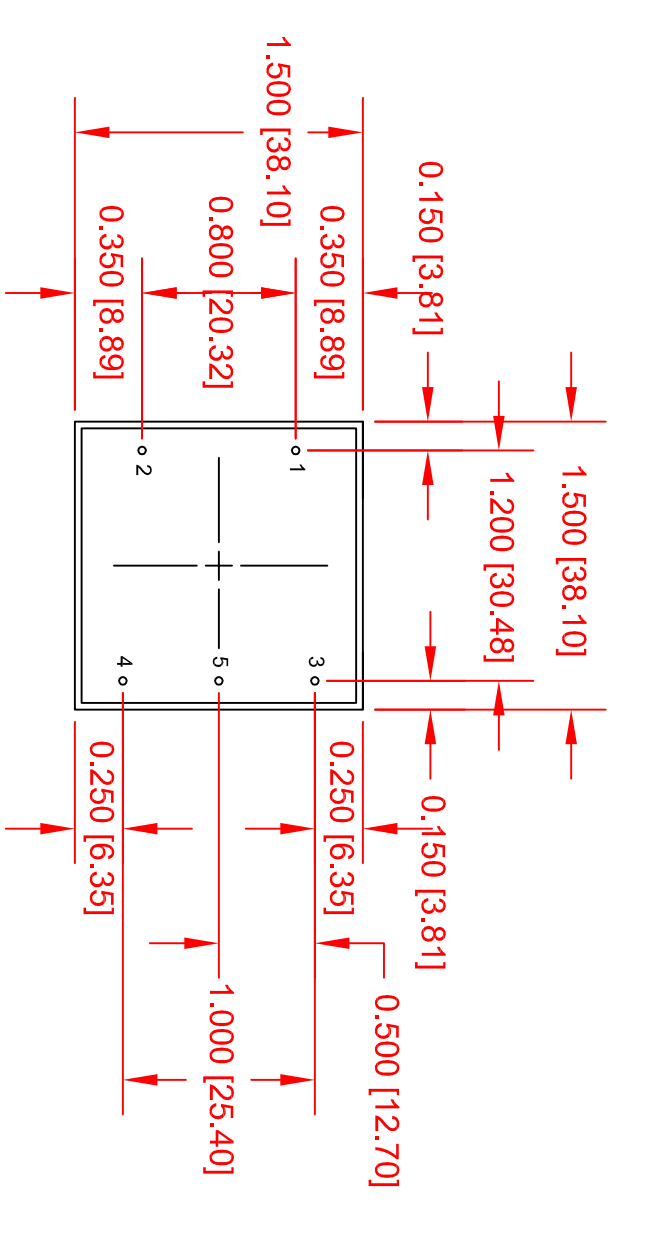
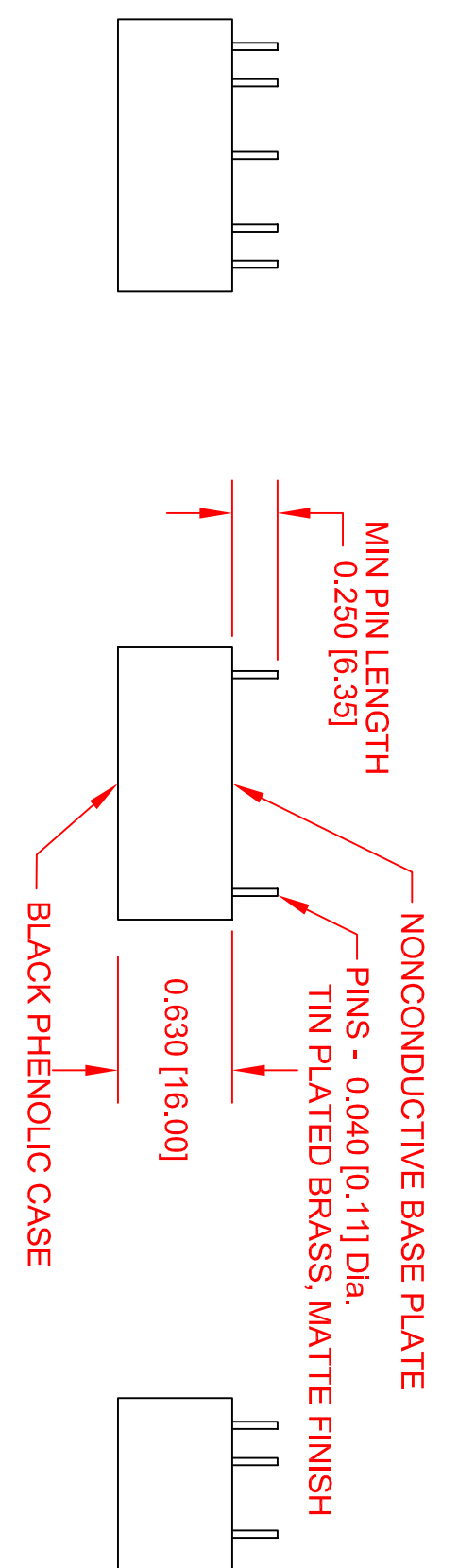
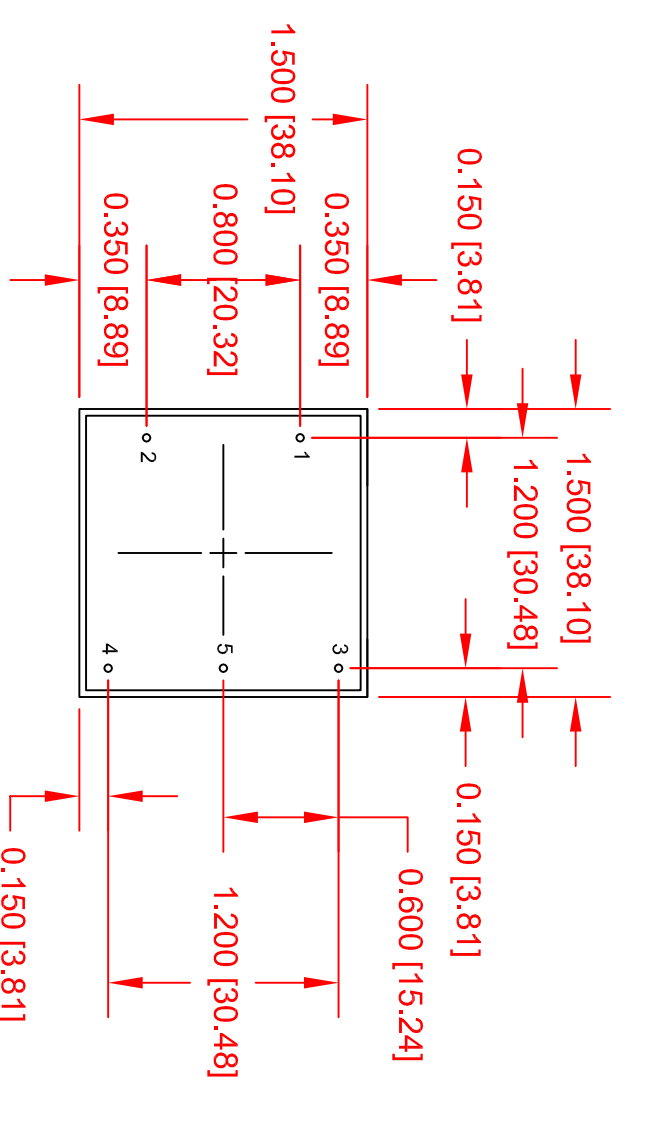


DEFAULT PINOUT		ALTERNATE PINOUT (A)	
PIN #	FUNCTION	PIN #	FUNCTION
1	+ INPUT	1	+ INPUT
2	- INPUT	2	- INPUT
3	- OUTPUT	3	+ OUTPUT
4	+ OUTPUT	4	- OUTPUT



ALTERNATE PINOUT (B)	
PIN #	FUNCTION
1	+ INPUT
2	- INPUT
3	+ OUTPUT
4	- OUTPUT
5	COM



ALTERNATE PINOUT (C)	
PIN #	FUNCTION
1	+ INPUT
2	- INPUT
3	+ OUTPUT
4	- OUTPUT
5	COM